

“

A BEST IN CLASS,
INNOVATIVE, PRICE
COMPETITIVE AND HIGH
QUALITY PERFORMING
ENGINEERING
ENTERPRISE.



BUCHIYA
CONTROLS PRIVATE
LIMITED
SERVES NEED OF ALL TYPE OF
INDUSTRIES



OIL SYSTEMS

CONTACT US

PLOT NO. 22, MAA KALKA MARG, GURUKUL
INDUSTRIAL AREA,
SECTOR 38, FARIDABAD

Ph.: +91 9891345001; 8851349219

Mail: info.controls@buchiya.com

Visit us at: www.buchiya.com

OIL SYSTEMS BY BCPL

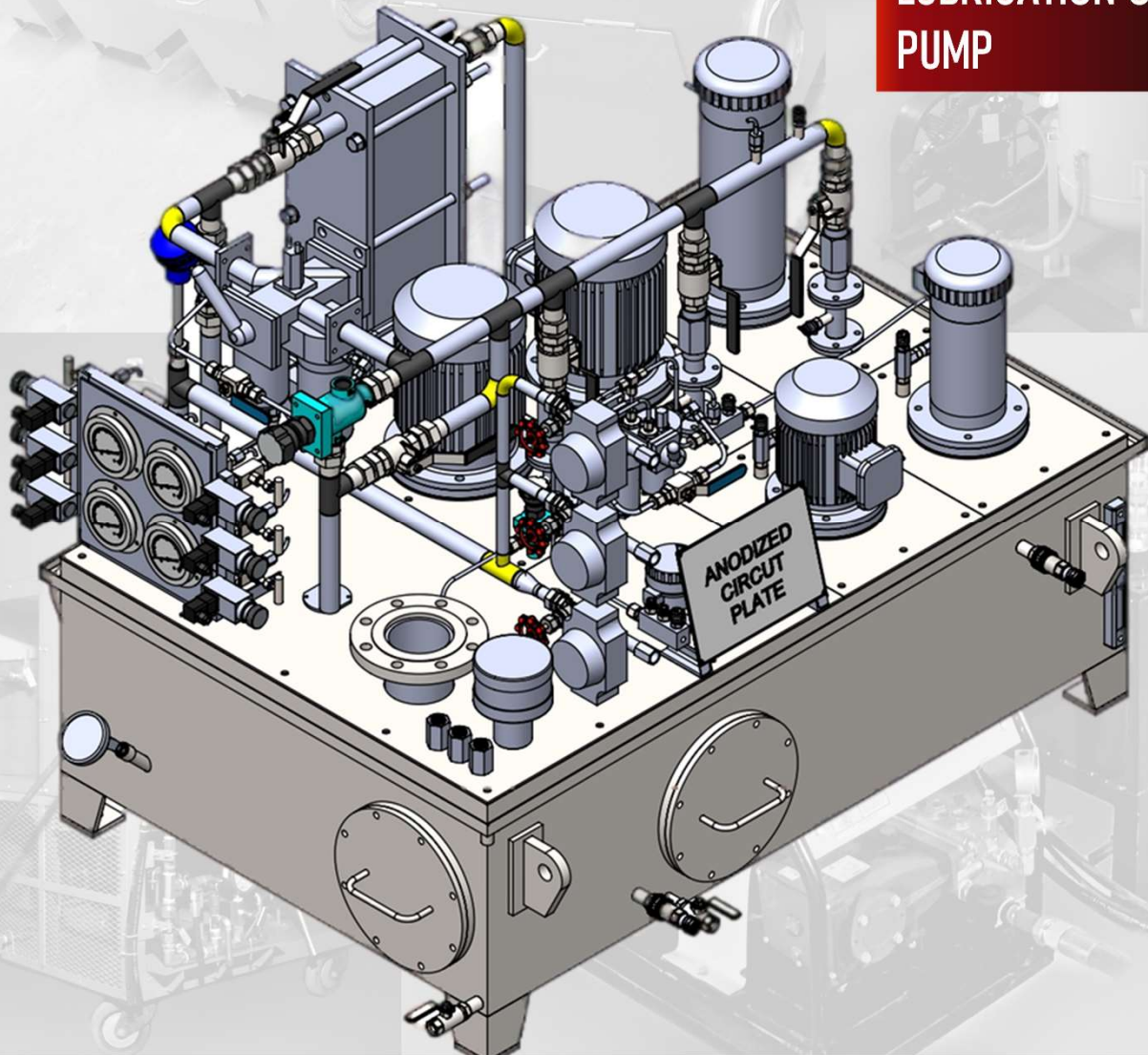


Buchiya

... Serves need of all type of industries

SHIVASAMUDRAM (42 MW), KARNATAKA

**GENERATOR
LUBRICATION OIL
PUMP**



Sr.	Item	Details
1	GLOP	JACKING/ 1 LPM @ 90 BAR LUBRICATION / 60 LMP@ 6 BAR



OIL SYSTEMS BY BCPL



... Serves need of all type of industries



GENERATOR LUBRICATION OIL PUMP

OIL SYSTEMS BY BCPL



Buchiya

... Serves need of all type of industries

RUSUMO FALLS (80MW), AFRICA

OIL LEAKAGE UNIT



Sr.	Item	Details
1	OIL LEAKAGE UNIT	WORKING - 50LPM @ 6 BAR



OIL SYSTEMS BY BCPL



Buchiya

... Serves need of all type of industries

LOWER KOPILI HEP (120MW), ASSAM



HIGH PRESSURE OIL PLANT



Sr. N.	Item	Details
1	HIGH PRESSURE OIL PLANT	TEST PR.- 350 BAR
2	MOTOR	7.5 KW (10 HP)



OIL SYSTEMS BY BCPL



Buchiya

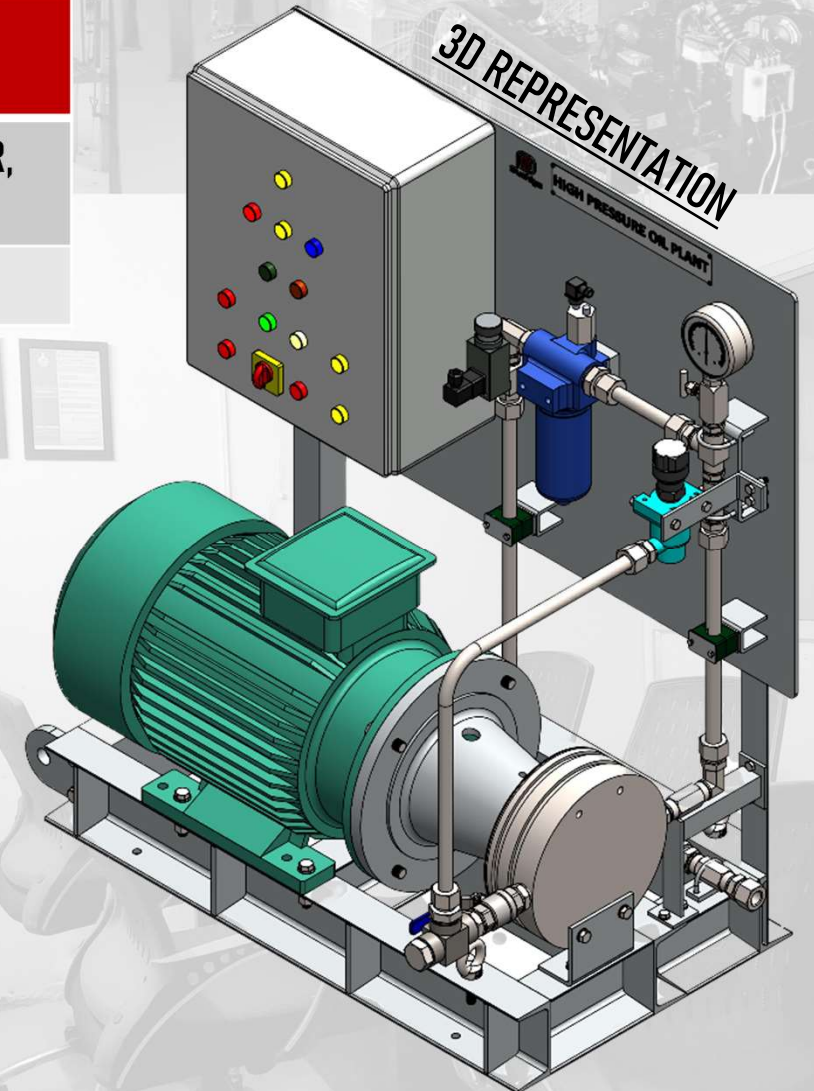
... Serves need of all type of industries

KHOBI HEP (60MW), GEORGIA



Sr. N.	Item	Details
1	HIGH PRESSURE OIL PLANT	TEST PR. - 380 BAR, 37 LPM
2	MOTOR	18.5 KW (25 HP)

HIGH PRESSURE OIL PLANT



OIL SYSTEMS BY BCPL



Buchiya

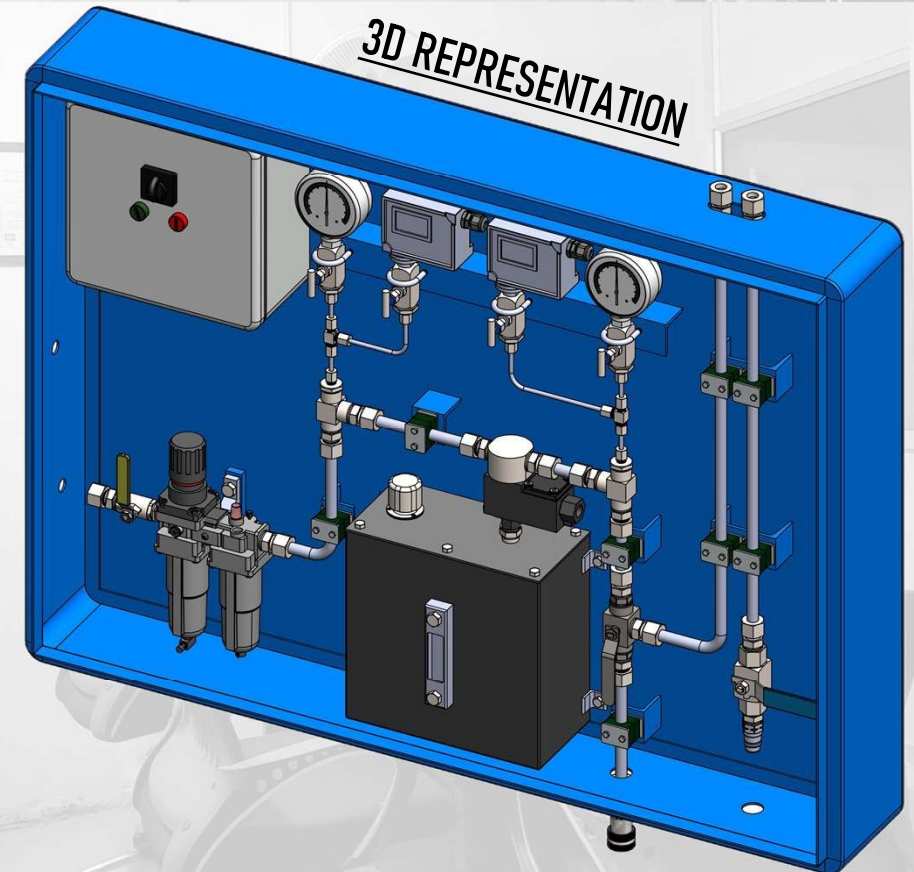
... Serves need of all type of industries

KHOBI HEP (60MW), GEORGIA

BRAKE & JACK PANEL



Sr.N.	Item	Details
1	BRAKE & JACK PANEL	WORKING PRESSURE - 250 BAR AIR PRESSURE - 18 BAR



OIL SYSTEMS BY BCPL



Buchiya

... Serves need of all type of industries

DAK BA(2 X 15 MW), VIETNAM

OIL STORAGE TANK & TRANSFER TROLLEY



Sr.No.	Item	Details
1	TANK CAPACITY	1500 Ltrs.
2	DIMESNIONS	2100 X 1100 mm



HONG NGAI (3 X 5 MW), VIETNAM

OIL SYSTEMS BY BCPL



Buchiya

... Serves need of all type of industries

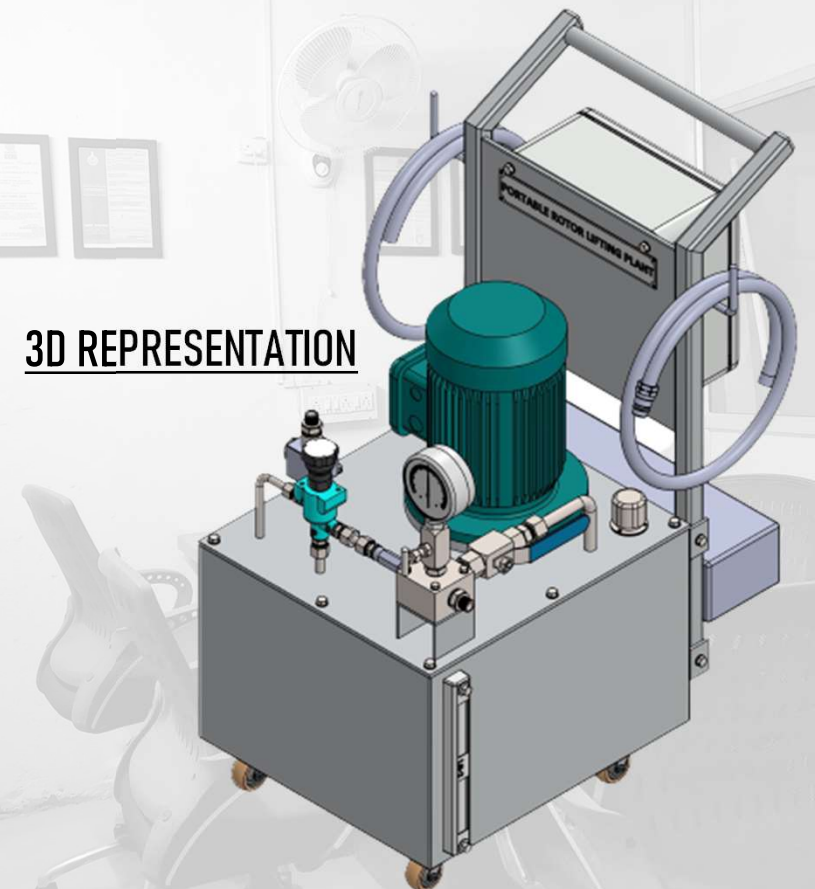
KUTHER (240MW), JAMMU & KASHMIR

ROTOR LIFTING PLANT



Sr.N.	Item	Details
1	ROTOR LIFTING PLANT	TEST PRESSURE - 300 BAR, 2.5 LPM
2	MOTOR	2.2 KW

3D REPRESENTATION



OIL SYSTEMS BY BCPL



Buchiya

... Serves need of all type of industries

**PINNAPURAM PSP (1.2 GW),
ANDHRA PRADESH**

**OIL & GREASE
LUBRICATION SYSTEM**

Sr.	Item	Details
1	GLS	WORKING PRESSURE - 210 BAR



OIL SYSTEMS BY BCPL



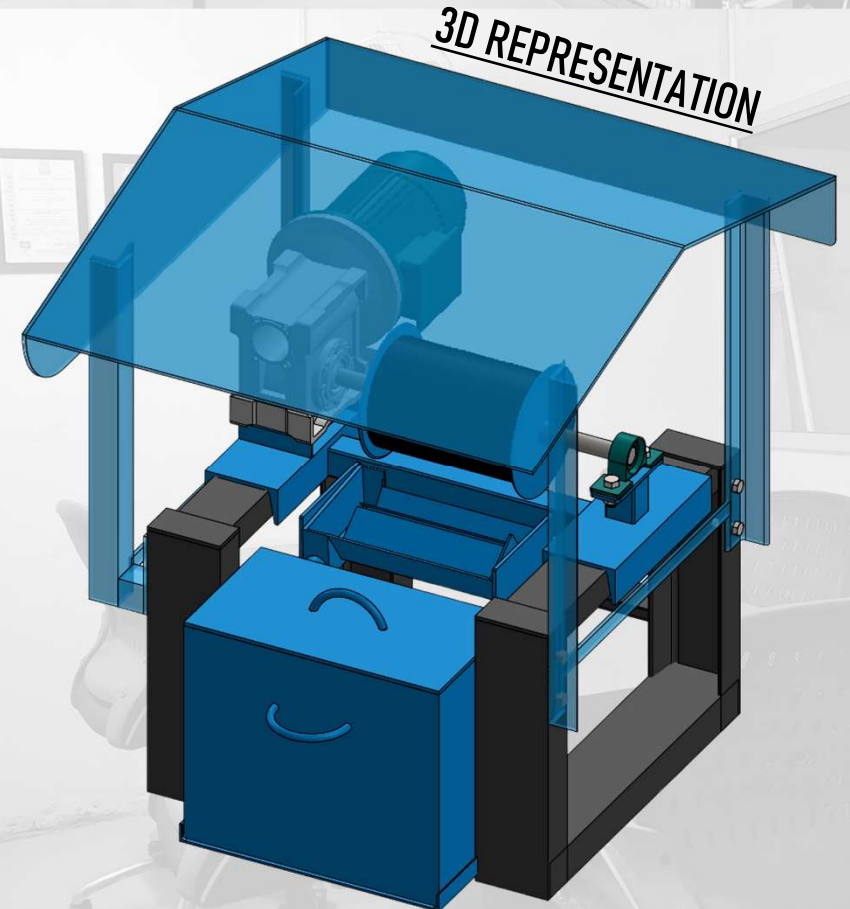
Buchiya

... Serves need of all type of industries

NAM KONG 3 (2X13 MW), LAOS

Sr.No.	Item	Details
1	BELT/WIPER	OLEOPHILIC POLYMER/TEFLON
2	MOTOR	0.37 KW (0.5 HP)

**OIL
SKIMMER
SYSTEM**





Buchiya

... Serves need of all type of industries

THANK YOU

